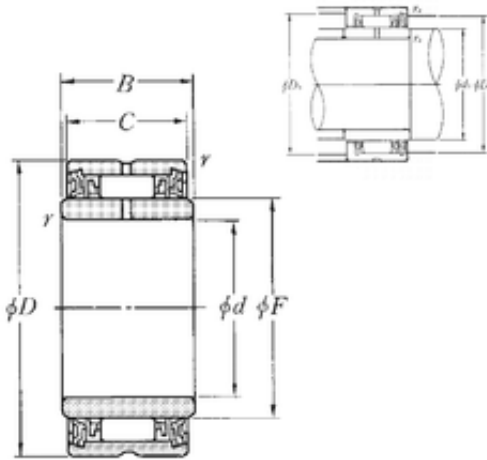




NTN-BOWER LTD.

NTN NA4908LL JAPAN Bearing 100x140x54

Bearing No. NA4908LL



NA4908LL Bearing 2D drawings and 3D CAD models

| | |
|-------------------------------|-----------------|
| Size | 48x62x23 mm |
| Bore Diameter | 48 mm |
| Outer Diameter | 62 mm |
| Width | 23 mm |
| F | 48 mm |
| Fw | 40 mm |
| D | 62 mm |
| B | 23 mm |
| C | 22 mm |
| r min. | 0,6 mm |
| da min. | 44 mm |
| Da max. | 51 mm |
| ra max. | 0,6 mm |
| Db max | 58 mm |
| Weight | 0,252 Kg |
| Basic dynamic load rating (C) | 27,8 kN |
| Basic static load rating (C0) | 53,5 kN |
| Category | Roller Bearings |
| Inventory | 0.0 |
| Manufacturer Name | NTN |
| Minimum Buy Quantity | N/A |
| Weight / Kilogram | 0.265 |
| Product Group | B04144 |