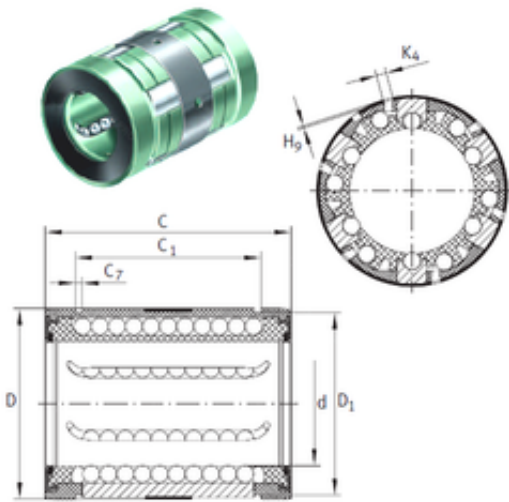




NTN-BOWER LTD.

INA KN 30 B-PP GERMANY Bearing 30*47*68

Bearing No. KN 30 B-PP



KN 30 B-PP Bearing 2D drawings and 3D CAD models

Size	30x47x68 mm
Bore Diameter	30 mm
Outer Diameter	47 mm
Width	68 mm
d	30 mm
D	47 mm
C	68 mm
C7	1,85 mm
H9	2,2 mm
K4	3 mm
b1	2,5 mm
C1	51,7 mm
D1	44,7 mm